

TYPE
SC – 1500 / SC – 1550**STAIRCASE DIFFUSER****DESCRIPTION**

The **SC** supply diffusers are suitable for installation in rooms with banked seating, such as theatre auditoriums, lecture halls, etc. They are available in two types: square **SC-1500** and circular **SC-1550**. Both types are designed for low momentum and even penetration flow.

The square diffusers are swirl diffusers constructed of single-sheet galvanized wrapped steel, ensuring durability. The circular diffusers are constructed of anodized aluminium and have a removable face for ease of installation and access to the duct.

Their main characteristics are:

- Square diffuser with fixed blades divided into four sectors, orientated in different directions.
- Circular diffuser with perforated removable plate.
- Compact construction.

NOMINAL SIZES

The **SC** diffusers are available in two types and two sizes:

The square diffuser **SC-1500** is available in the following sizes: 180 mm x 180 mm and 250 mm x 250 mm.

The circular diffuser **SC-1550** is available in the following diameters: Φ 80 and Φ 100.

We highlight that:

- The order dimensions of the **SC-1500** diffusers are the **overall dimensions**, while for **SC-1550** the order diameter is the diameter of the **opening**.

ACCESSORIES

Crossbar for concealed installation for the square **SC-1500** diffuser.

INSTALLATION – FIXING

The square diffusers are fixed with four screws on the corners, or by means of crossbar and central screw for concealed installation.

The circular diffusers are fixed on the duct by removing the face.

MATERIALS**SC 1500**

Blades and frame: Galvanized steel, powder coated in RAL colour.

Frame seal: Polyester foam.

Screws: Galvanized steel (DIN 7504).

SC 1550

Blades and frame: Extruded aluminium anodized in matt silver or powder coated in RAL colour.

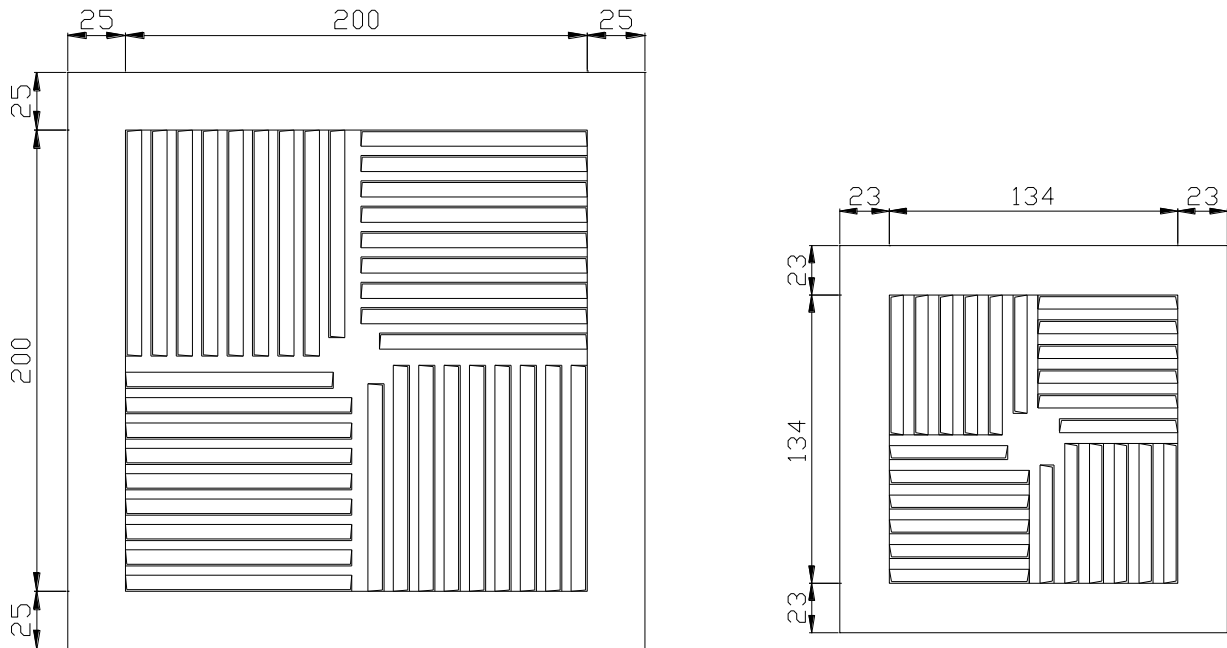
Screws: Galvanized steel (DIN 7504).

SPECIFICATION TEXT**SC-1500**

Square staircase swirl diffuser consisting of fixed steel blades divided into four sectors, orientated in different directions, made of galvanized steel sheet and powder coated.

SC-1550

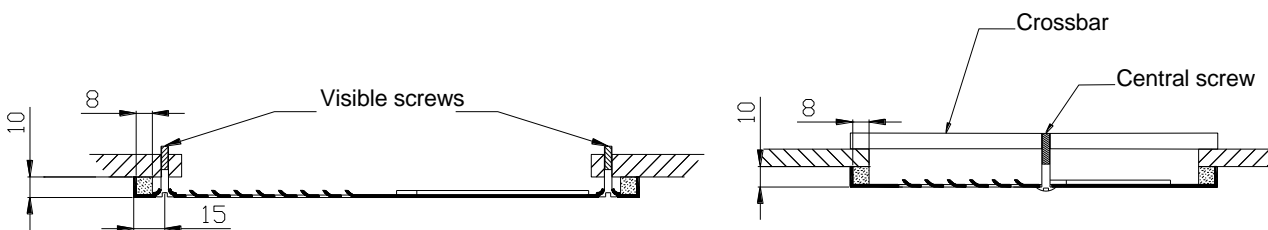
Circular staircase diffuser with perforated removable plate made of anodized aluminium.



SC-1500 - VIEW



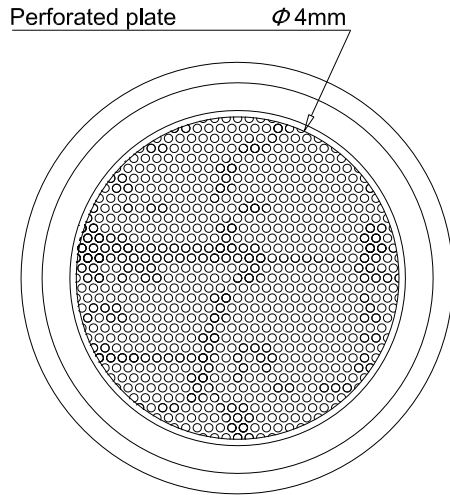
SC-1500 - SECTION



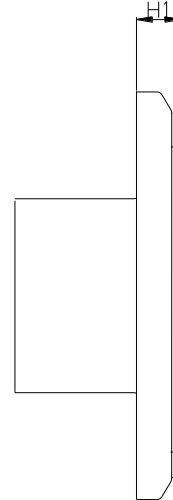
SC-1500 - FIXING DETAIL

NOTES

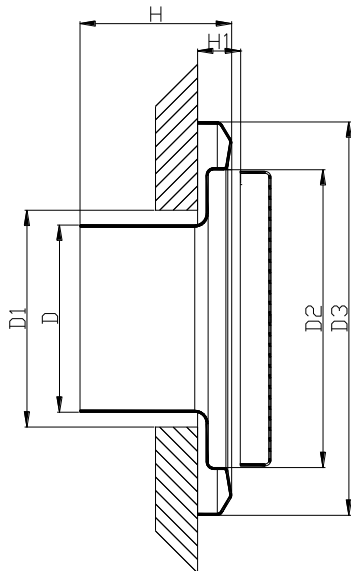
1. The diffuser is available in two types regarding their fixing method; where concealed installation is required, a crossbar with central screw is available as an accessory.



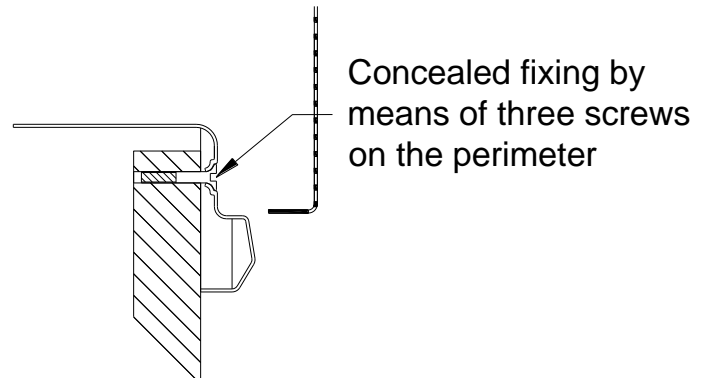
SC-1550 - VIEW



SC-1550 - SIDE VIEW



SC-1550 - SECTION



Concealed fixing by means of three screws on the perimeter

Nominal Diameter	D	D1	D2	D3	H	H1
80	78	93	135	186	86	18
100	98	113	155	206	86	18

- D : Neck diameter
- D₁ : Diameter of the opening
- D₂ : Diameter of removable face
- D₃ : Diameter of visible face
- H : Length
- H₁ : Frame height